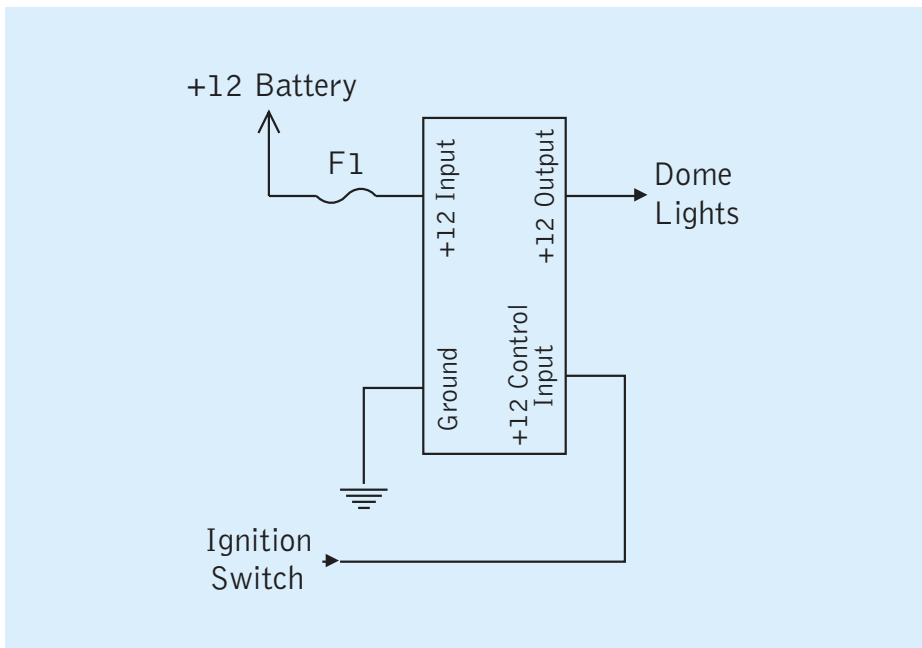


Five-Minute Timer Module

The Data Panel Five-Minute Timer Module provides a +12 Vdc power source controlled by a five-minute timer circuit when the +12 Vdc control input is removed. The five-minute timer delay can be triggered by a momentary +12 Vdc input signal.

- Provides a reliable power source for module dome lights after the vehicle is shut down
- Provides a convenient source for control of a re-stock light for storage compartments
- Can be re-configured (un-potted version) to provide a fifteen-minute timer by removable jumper
- LED indicator for timer/relay ON
- Data Panel Five-Minute Timers are 100% tested before shipment
- Typical installation application:



- Reverse battery protected
- +12 output rated for 20 amps
- Less than 10 mAmp battery draw when off

VisionMark, Inc.

Exclusive North American distributor
for the fire apparatus industry
2309 Industrial Drive, Sidney, OH 45365
Phone: 937-492-3100
Fax: 937-492-3108



Specification

Data Panel's engineering staff works with customers to fully understand each application. Only then do we document a complete set of design, development, and performance specifications

Design

Data Panel performs all electrical design and board layout in house – controlling every aspect of the development process.

Prototype

When required and/or requested, quick turn production intent prototypes can be developed to prove the design application.

Production

Our manufacturing group has a broad range of production experience and personnel. Just-In-Time deliveries support numerous rescue vehicle manufactures.

Field Support

Field Service personnel are always available to provide answers, service, and support for our customers and their customers!

See the full line of Data Panel solutions at www.visionmark.com/dpc.html.