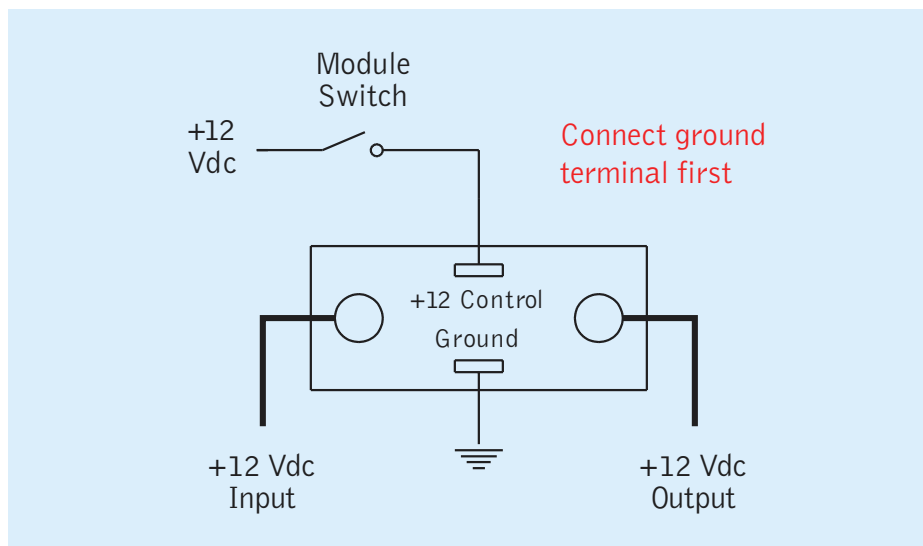


High Current Switch 200 Amp

Data Panel's High Current Switch (P/N 20029) is designed for continuous duty switching. Capable of switching loads up to 200 amps, the package is hermetically sealed and provides the long-life reliability characteristic of non-mechanical solid state components.

- Internal diode protection for inductive load switching
- Reverse battery protected
- Operating voltage range of 9.0 Vdc to 16.5 Vdc
- Electrical Specifications (25°C @ 14.5 Vdc)
 - 200 amps steady state (85°C)
 - 500 amp inrush current 1.0 seconds
 - Maximum voltage drop 0.350 volts @ 150 amps
 - 125 mA max current +12 Vdc Control Input
 - Switching ON time 50 mSec typical
 - Switching OFF time 150 mSec typical
- Size 4.50"L x 4.00"W x 2.75"H
- Weight 1.5 lbs. typical
- Control termination .250 male blade
- Power lugs 3/8-16 brass
- Typical installation application:



VisionMark, Inc.

Exclusive North American distributor
for the fire apparatus industry
2309 Industrial Drive, Sidney, OH 45365
Phone: 937-492-3100
Fax: 937-492-3108



Options

Also available in 100 amp version.

Specification

Data Panel's engineering staff works with customers to fully understand each application. Only then do we document a complete set of design, development, and performance specifications

Design

Data Panel performs all electrical design and board layout in house – controlling every aspect of the development process.

Prototype

When required and/or requested, quick turn production intent prototypes can be developed to prove the design application.

Production

Our manufacturing group has a broad range of production experience and personnel. Just-In-Time deliveries support numerous rescue vehicle manufactures.

Field Support

Field Service personnel are always available to provide answers, service, and support for our customers and their customers!

See the full line of Data Panel solutions at www.visionmark.com/dpc.html.