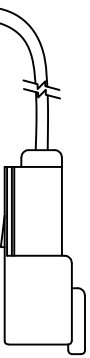
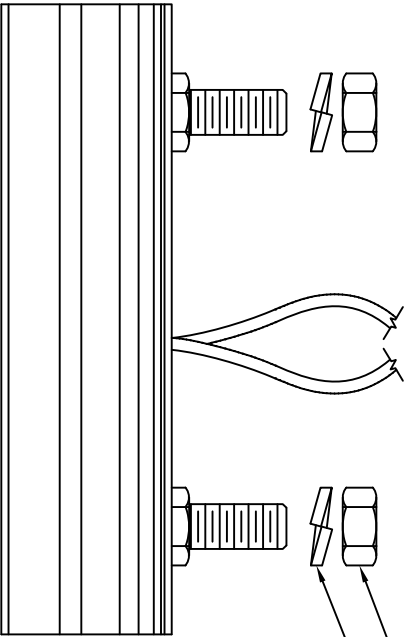
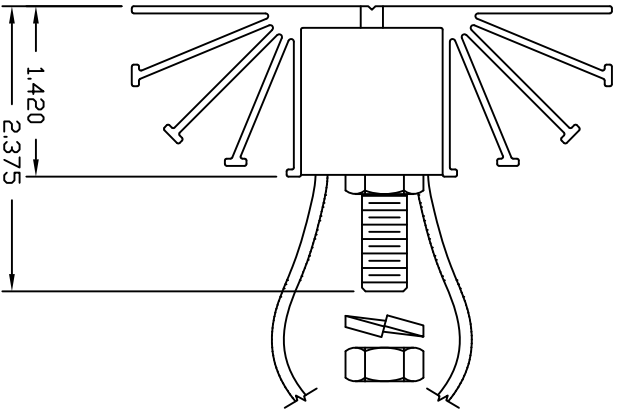
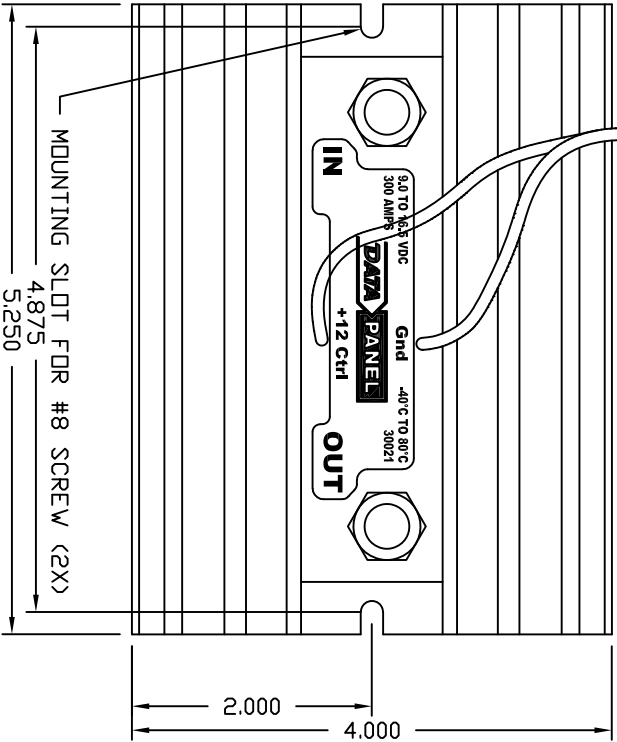


DEUTSCH DT04-2P OR EQUAL
 WEDGE LOCK: W2P
 PINS: 0460-215-16141
 PIN 1: +12 Ctrl
 PIN 2: Gnd
 WIRE LENGTH: 6 INCHES



MATES WITH:
 DEUTSCH DT06-2S OR EQUAL
 WEDGE LOCK: W2S
 SOCKETS: 0462-209-16141



3/8-16 HEX NUT 034-11814 (2X)
 3/8 LOCK WASHER 035-11843 (2X)

DATE	SYM	REVISION RECORD	BY:	DCN
07/26/10	A	RELEASED	-	C396
09/23/10	B	CONNECTOR SOCKETS, MATE PINS	-	C440
SEP 8 17	C	UPDATE DWG TO ONE SHEET	SCS	E244
JAN 28 20	D	REVISE LABEL SHAPE	SCS	F171

- NOTE:
- UNLESS SPECIFIED OTHERWISE MAX RATING AT 25°C WITH Vdc (BATTERY) = 12.5 Vdc
 - MAX CURRENT 500 A
 - MAX INRUSH 500 A 1.0 SEC
 - MAX VOLTAGE DROP AT 150 A = 0.350 Vdc
 - +12 CTRL INPUT
 OFF: OPEN
 ON: 9.0 Vdc MIN
 ON: 16.5 Vdc MAX
 ON: 125 mamp MAX
 - CONTROL CIRCUIT REVERSE BATTERY PROTECTION
 - +12 CTRL AND GND INPUTS INTERNAL DIODE PROTECTION FOR INDUCTIVE LOAD SWITCHING
 - SWITCHING TIME AT 150 A
 T (ON) = 50mSec TYP
 T (OFF) = 150mSec TYP
 - WEIGHT: 1.5 POUNDS TYP.
 - METAL IS ANODIZED BLACK.
 - LABEL BACKGROUND IS WHITE.
 - LABEL TEXT IS BLACK.
 - LABEL LOGO IS BLUE.
 - WHEN INSTALLING SWITCH, MAKE GROUND CONNECTIONS FIRST.
 - TORQUE CABLE NUTS TO 12 FT/LBS MAX.

TOLERANCES
 EXCEPT
 NOTED
 DECIMAL ± .010
 FRACTIONAL ± 1/32
 ANGULAR ± 1°

DATA PANEL CORPORATION CLAIMS ALL THE INFORMATION IT CONTAINS, THIS PROPRIETARY RIGHTS TO THIS DRAWING AND REPRODUCTION, AND MANUFACTURING IS MATERIAL IS CONFIDENTIAL. DISCLOSURE STRICTLY PROHIBITED WITHOUT THE EXPRESS WRITTEN PERMISSION OF DATA PANEL CORPORATION. ALL RIGHTS OF DESIGN OR INVENTION ARE RESERVED.

DATA PANEL CORP.

CUSTOMER: XXX

MATL: SEE NOTE SIZE SCALE DRAWN BY KG
 FINISH: SEE NOTE A NTS APP. BY

TITLE: HIGH CURRENT SWITCH (300 AMP)

DATE: 07/26/10 DRAWING NUMBER: 30021 REV. D