

DATA SHEET

DP-32054

Valve Drive Module
VDM0606
I/O Node or Controller
CANBUS
6 Inputs and 6 Outputs
Small Footprint

This fully-sealed device, designed for heavy duty electric, hydraulic, and pneumatic applications, has an externally activated magnetic sensor that toggles programs in DPLoGic. Set-up is quick with easy connection to other parts from different applications.

DPLoGic

DPLoGic is a library of files used with the Microchip PIC compiler to process DPLoGic records, which are created with a PC-based Graphical User Interface. DPLoGic is used to program Data Panel CAN (J1939)-based DPLoGic certified modules.



Mechanical Data

Housing	.062" aluminum Hard Coat black anodized bent metal
Dimensions (l x w x h)	7.00 x 4.55 x 1.13 in. (177.80 x 115.57 x 28.70 mm)
Weight	1.10 lbs (500 g)
Installation	Flange

Technical Data

Connections: Connectors	MFG (DP): 6 pin DT15-6PA (134-1300-00606) 12 pin DT15-12PA (134-1300-01612)
Mating Connectors	6 pin DT06-6SA (134-1000-00606) 12 pin DT06-12SA (134-1000-01612)
Terminals	DEUTSCH 0462-201-20141 (134-0850-B0700)
Miscellaneous	Wedgelock W12S (134-16A0-00012) Wedgelock W6S (134-16A0-00006)
Operating Voltage	9-16.5 Vdc
Switching Current	5 A
Total Module Current	26 A at 14.5 Vdc
Operating Temperature	-40...80 °C
Storage Temperature	-40...85 °C
Ingress Protection	IP67
Baud Rate	250k bits/sec (CAN 2.0 B)


Test Standards and Regulation

Climatic test	Storage Temperature to IEC 60068-2-1, Test Ad, IEC 60068-2-2, Test Bb Temperature Durability to IEC 60068-2-14, Test Nb
Mechanical test	Max Temperature—Max Current to JDQ 53.3, Section 9 Drop Test—With Shipping Container to IEC 60068-2-31, Test Ec Ignition Protection Test to ISO 8846
Electrical test	Electrical Tests to ISO 16750-2:2003 Vehicle Start Cycle—Brown Out to DP DSGN-3012 Power Cycle Tests Power Decay—Battery Drain to DP DSGN-3012 Power Cycle Tests

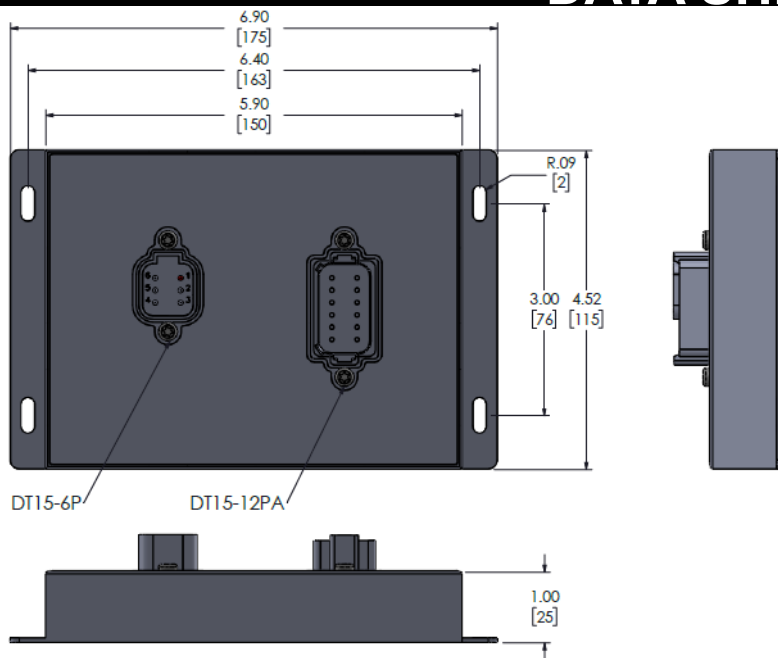
Connector Pinout

Connector	Function	Description	Rating
J1-1	BATTERY	+14.5 Vdc Battery	12 A
J1-2	IN5	Positive Digital Input 5	0.1 A @ +12 Vdc
J1-3	GROUND	Vdc Battery Return	12 A
J1-4	OUT5	Digital Output 5	5 A
J1-5	IN6	Positive Digital Input 6	0.1 A @ +12 Vdc
J1-6	OUT6	Digital Output 6	5 A
J2-1	GROUND	Vdc Battery Return	13 A
J2-2	IN1	Positive Digital Input 1	0.1 A @ +12 Vdc
J2-3	IN2	Positive Digital Input 2	0.1 A @ +12 Vdc
J2-4	IN3	Positive Digital Input 3	0.1 A @ +12 Vdc
J2-5	IN4	Positive Digital Input 4	0.1 A @ +12 Vdc
J2-6	BATTERY	+14.5 Vdc Battery	13 A
J2-7	CAN High	Communication	
J2-8	OUT4	Digital Output 4	5 A
J2-9	OUT3	Digital Output 3	5 A
J2-10	OUT2	Digital Output 2	5 A
J2-11	OUT1	Digital Output 1	5 A
J2-12	CAN Low	Communication	

Operating States (LEDs)	Color	Status
PWR	Blue	Power to module
COM	Green	Communication status
FLT	Red	Board fault
LED 1	Green	User defined
LED 2	Green	User defined
I/O	Red	Input/output status

				12 Month Warranty		Page	1 of 2
				 A Murrelektronik Company		Date	Name
Rev	Description	Date	Name			Originator	06.12.20
a	Initial release - DCN F286	08.07.20	FSa	Approved	08.07.20	FSa	
				DP-32054_db_e_a.docx		The trademark DEUTSCH is owned by the TE Connectivity Ltd. family of companies.	

DATA SHEET




CAN Control and Operation Message Summary			
Description	Function	PGN	SA
Control Message	Outputs	65523 (0xFF3)	n/a
Control Message	PWM 1 - 4	65308 (0xFF1C)	n/a
Control Message	PWM 5 - 8	65309 (0xFF1D)	n/a
Digital Inputs Message	Inputs	65301 (0xFF15)	252
A/D Message	A/D 1 - 4	65302 (0xFF16)	252
A/D Message	A/D 5 - 8	65303 (0xFF17)	252

Diagnostics and Status Message Summary			
Description	Function	PGN	SA
Diagnostics and Status	Status	65384 (0xFF44)	209

DP Logic **DPLogic™** User function / logic generating and programming tool for creating vehicle personality. Similar to Ladder Logic with user enhanced features for troubleshooting and diagnostics.

 Magnet Sensor Input

P/N Matrix	
Part No.	Description
32054	Valve Drive Module VDM0606 6 inputs / 6 outputs
32054-3	Valve Drive Module VDM0404 4 inputs / 4 outputs
32054-X	Customer-specific requirements for label / Logic program and I/O

				12 Month Warranty		Page	2 of 2
						Date	Name
					Originator	06.12.20	TMc
Rev	Description	Date	Name	A Murrelektronik Company	Approved	08.07.20	FSa
a	Initial release - DCN F286	08.07.20	FSa	DP-32054_db_e_a.docx	The trademark DEUTSCH is owned by the TE Connectivity Ltd. family of companies.		