

Data Sheet

<p>DP-30021</p> <p style="font-size: 24pt; font-weight: bold; text-align: center;">300 Amp</p> <p style="font-weight: bold; text-align: center;">High Current Switch</p> <p style="font-weight: bold; text-align: center;">Solid State</p> <p style="font-weight: bold; text-align: center;">9 – 16.5 Vdc</p>	
--	--

Technical Data

<i>Housing</i>	<i>Black Anodized Aluminium</i>
<i>Dimensions (l x w x h)</i>	<i>5.25 x 4.00 x 2.375 inch</i>
<i>Installation</i>	<i>Mounting Slots #8</i>
<i>Connections</i> <i>Deutsch® DT04-2P</i>	<i>Mating Connector</i> <i>Deutsch® DT06-2S or equivalent</i>
<i>Studs</i> <i>Torque</i>	<i>3/8-16 hex nut and lock washer</i> <i>12 ft/lbs max</i>
<i>Weight</i>	<i>1.5 lb</i>
<i>Operating Voltage IN</i>	<i>9-16.5 Vdc</i>
<i>Switching Current</i>	<i>500 Amps inrush 1.0 seconds</i>
<i>Total I/O</i>	<i>Pin 1: +12 CTRL (9-16.5 Vdc)</i> <i>Pin 2: Gnd (Ground, Battery Negative)</i>
<i>Total Output Current</i>	<i>300 Amps @ 25 °C (12.5 Vdc)</i>
<i>Operating Temperature</i>	<i>-40...80 °C</i>
<i>Storage Temperature</i>	<i>-45...85 °C</i>
<i>IP67</i>	<i>User to protect input stud(s)</i>

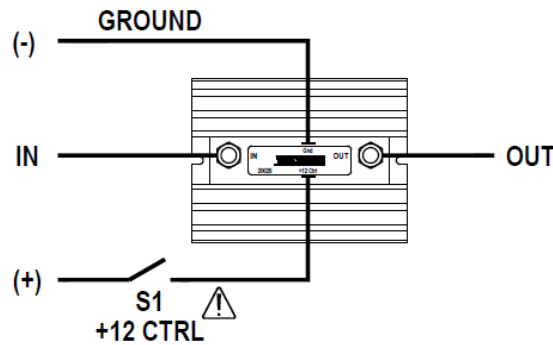
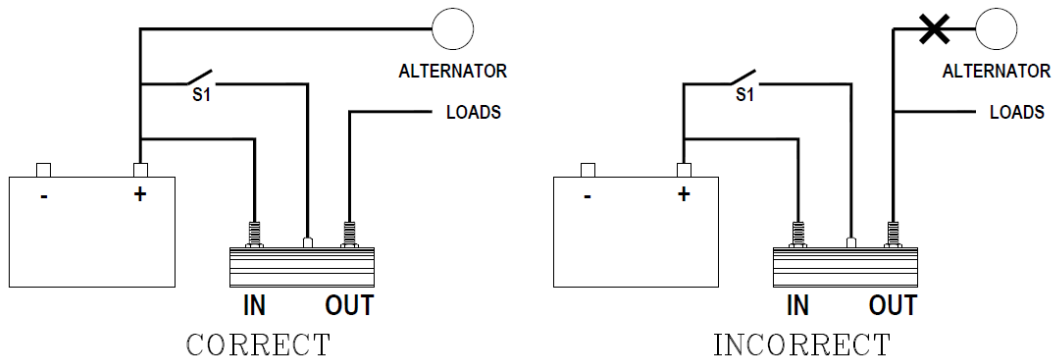
Electrical Characteristics

<i>+12 CTRL</i>	<i>OFF: OPEN</i> <i>ON: 9-16.5 Vdc @ 125 mA Max</i> <i>Reverse Battery Protected</i>
<i>IN to OUT</i>	<i>Max voltage drop: 0.350 Vdc @ 150 Amps</i> <i>Switching Time T(on): 50 mSec typical</i> <i>Switching Time T(off): 150 mSec typical</i>

					Date	Name	<p>Data Sheet</p> <p>High Current Switch (HCS)</p> <p>300 Amp</p>	
				Originator	02.03.20	FSa		
				Approved	02.03.20	FSa		
				<p>A Murrelektronik Company</p>				
Rev	Description	Date	Name	<p>Art. No.: DP-30021</p>				<p><i>Sheet</i></p> <p>1 of 2</p>
a	DCN F175	02.03.20	FSa	DP-30021_db_e_a.docx				


Cautions

<i>Installation</i>	<i>Make Gnd connection first during installation.</i>
<i>IN to OUT</i>	<i>Not Reverse Battery or Reverse Current Protected</i>



Test Standards and Regulation

<i>Climatic test</i>	<i>Cold Temperature to IEC 60068-2-1:2007, test Ad Temperature Durability to IEC 60068-2-14:2000-08, test Nb Temperature Shock to IEC 60068-2-14:2000-08, test Na</i>
<i>Mechanical test</i>	<i>IP protection to EN 60529:2000-09, test IP67</i>
<i>Electrical test</i>	<i>Electrical Tests to ISO 16750-2:2012</i>

				Date	Name	Data Sheet High Current Switch (HCS) 300 Amp	<i>Sheet</i> 2 of 2	
				Originator	02.03.20			FSa
				Approved	02.03.20			FSa
				 A Murrelektronik Company				
Rev	Description	Date	Name			Art. No.: DP-30021		
a	DCN F175	02.03.20	FSa	DP-30021_db_e_a.docx				