

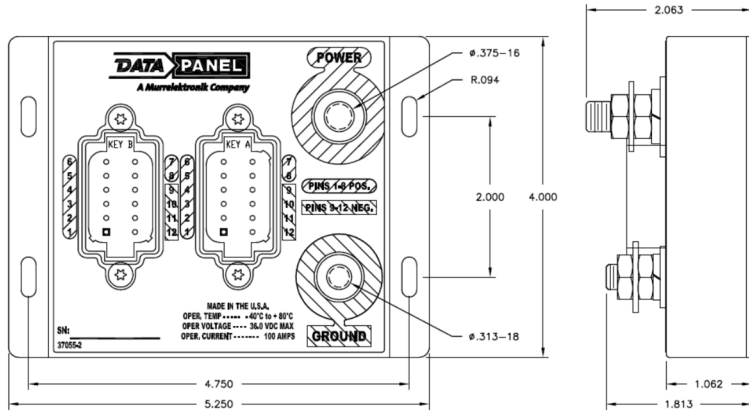
Data Sheet

DP-37055-2

PS-2


**Power Splitter &
Distribution Device,
2 Connector**

**36 Vdc Max
IP67**



Technical Data

Housing	Aluminum, black anodized
Dimensions (l x W x h)	5.25 x 4.00 x 2.06 inch
Weight	1.3 lbs (0.6 Kg)
Installation	Screw connection 4 x #8
Torque specification	Power Stud (3/8-16): dry torque 154 in-lbs.
Mating Connectors and Accessories	
Deutsch® Key A connector	DT06-12SA
Deutsch® Key B connector	DT06-12SB
Deutsch® size 20 Socket	0462-201-20141
Deutsch® size 16 Socket	0462-201-16141
Deutsch® Wedgelock	W12S
Deutsch® Seal Plug	114017-ZX
Operating Voltage	36 Vdc max.
Input Current	100A max.
Output Current	13.5A continuous per pin max.
Total Inputs	2 – 1 Main Power 3/8" Stud 1 Main Ground 5/16" Stud
Total Outputs	24 Pins (16 power + 8 ground)
Operating Temperature	-40...80 °C
Storage Temperature	-40...85 °C
IP67	User to protect input stud(s) Connector seal plugs required for unused pins

Rev	Description	Date	Name	Date	Name
				Originator	01.30.20 FSa
				Approved	01.30.20 FSa
c	DCN F226	03.16.20	FSa	 A Murrelektronik Company	
b	DCN F175	02.03.20	FSa		
Rev	Description	Date	Name		
a	initial release	01.30.20	FSa	DP-37055-2_db_e_c.docx	

Data Sheet

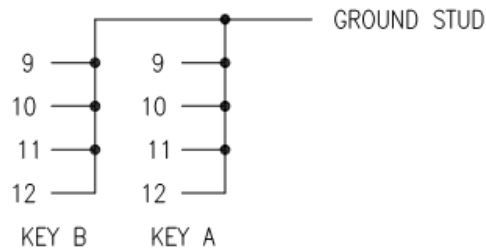
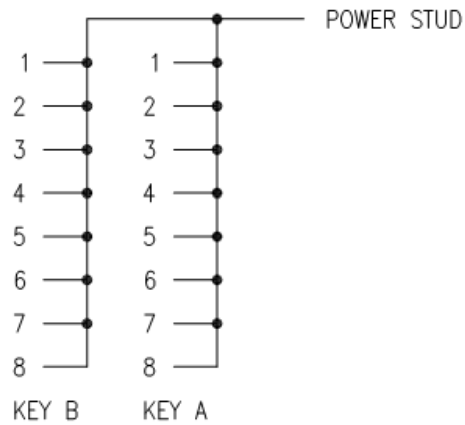
PS-2

Power Splitter & Distribution Device

2 Connector


Art. No.: DP-37055-2	Sheet 1 of 2
-----------------------------	-----------------

Connector Wire Diagram



Notes:

1. All power to vehicle must be turned off prior installation of the device.
2. The device should only be installed by a trained electrician following standard best practices
3. To maintain IP rating, sealing plugs need to be installed on all unpopulated positions on mating connectors.

					Date	Name	Data Sheet PS-2 Power Splitter & Distribution Device 2 Connector	
				Originator	01.30.20	FSa		
				Approved	01.30.20	FSa		
c	DCN F226	03.16.20	FSa	 A Murrelektronik Company			Sheet 2 of 2	
b	DCN F175	02.03.20	FSa	Art. No.: DP-37055-2				
Rev	Description	Date	Name					
a	initial release	01.30.20	FSa					DP-37055-2_db_e_c.docx